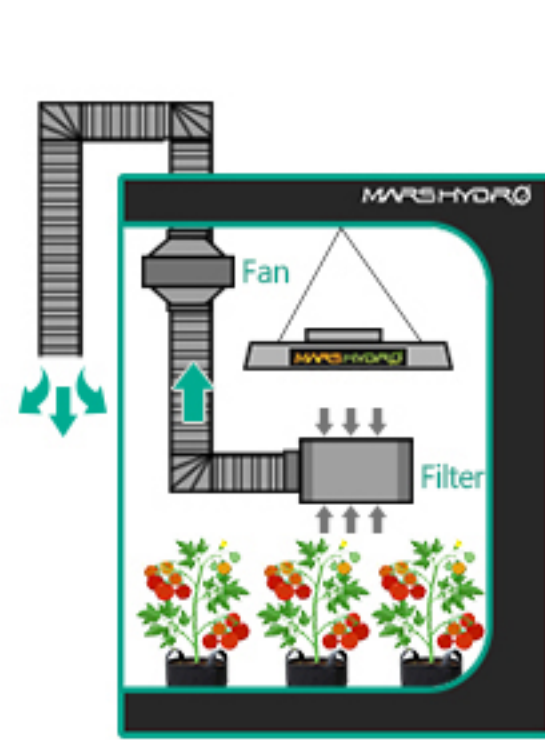
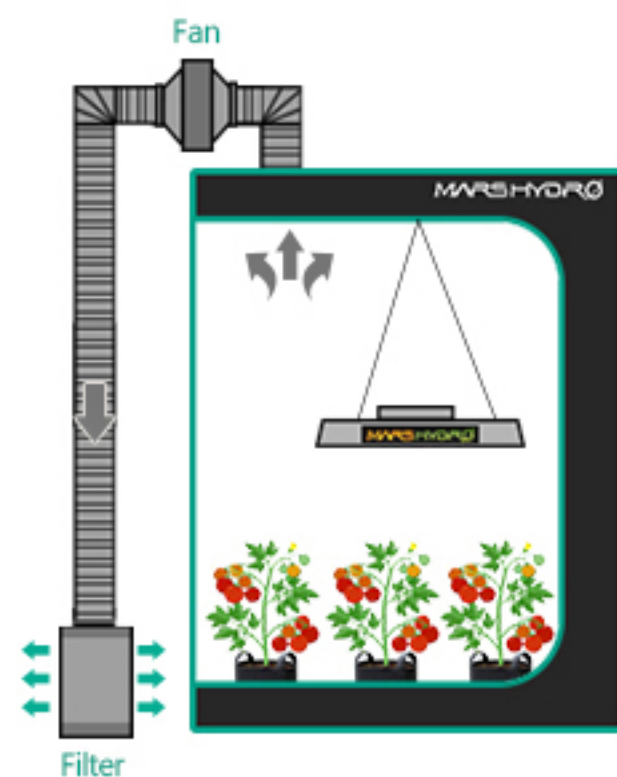


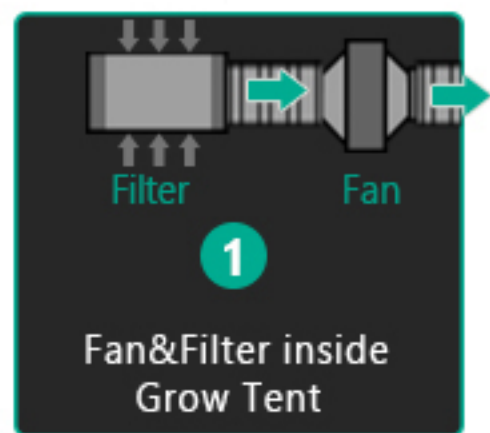
For a big grow space, Bring fresh air into grow rooms



Works as Exhaust Filter

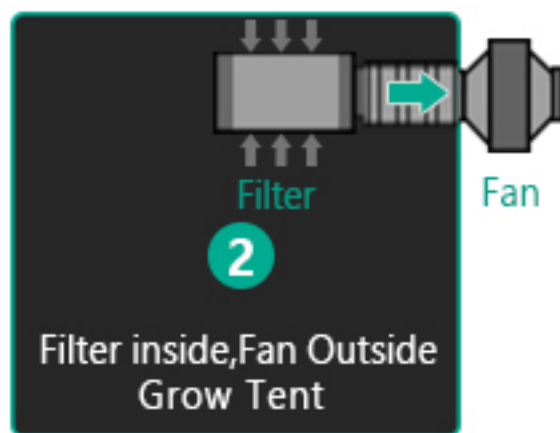


Works as Intake Filter

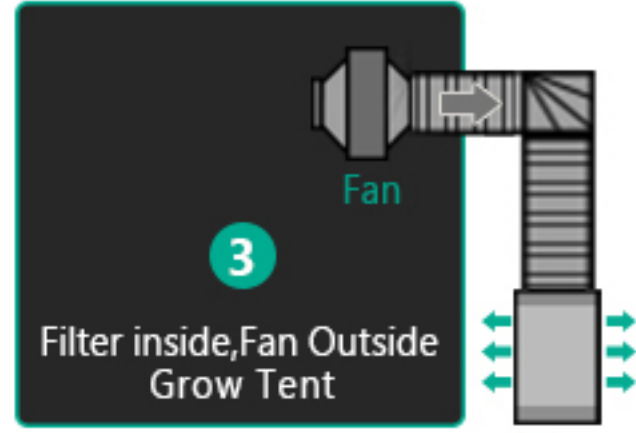


Fan&Filter inside Grow Tent

Preferred Method

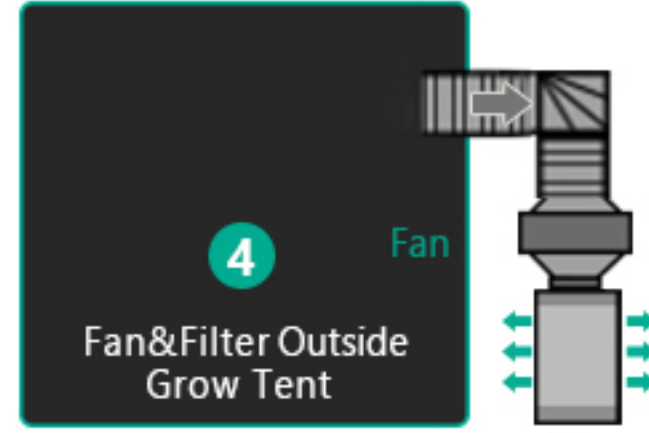


Filter inside, Fan Outside Grow Tent



Filter inside, Fan Outside Grow Tent

Filter

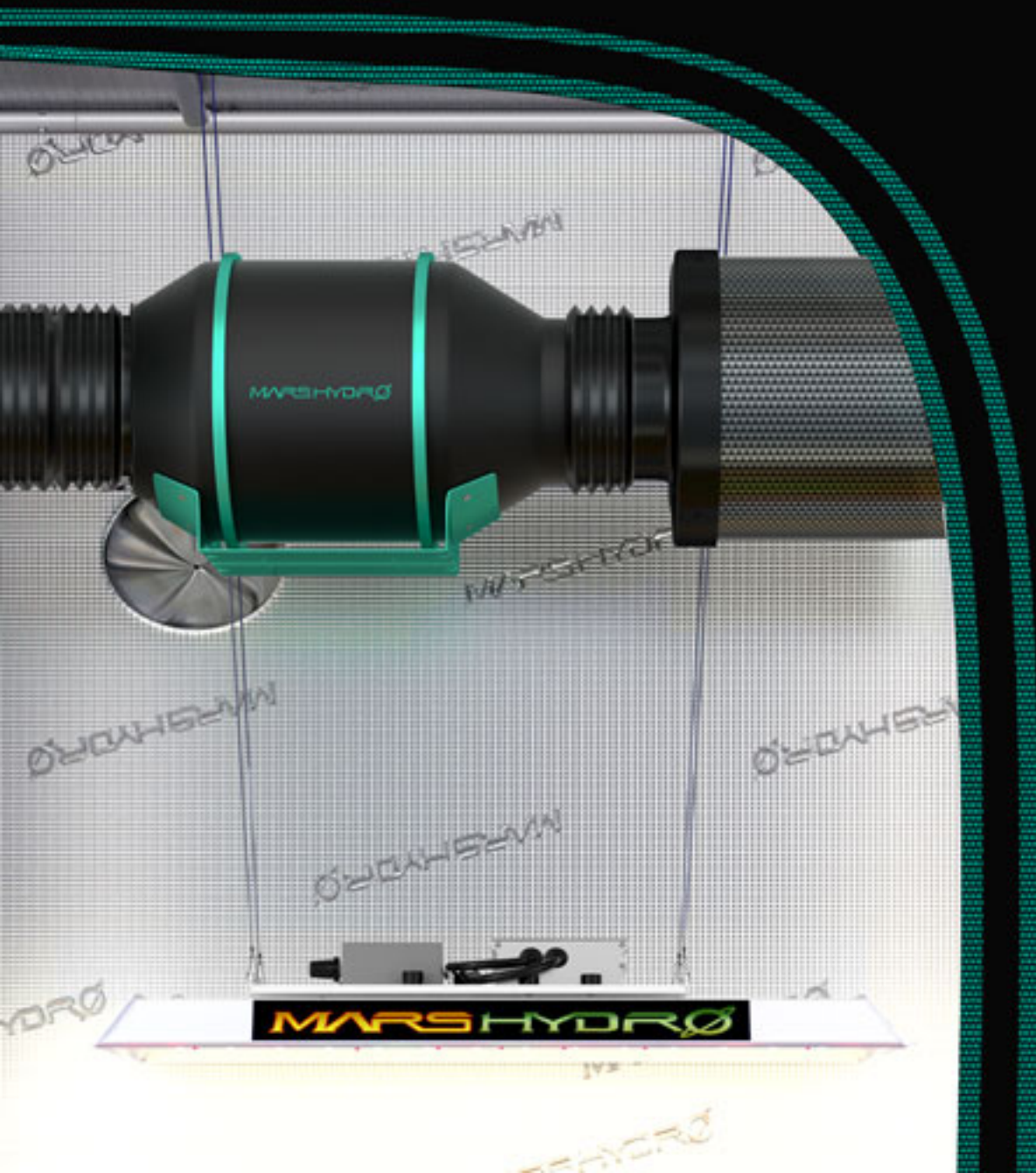


Fan&Filter Outside Grow Tent

Filter

Four different installation methods for you to choose the better one in your green house.

MARSHYDRO



4 Inch 205 CFM Inline Duct Fan with Speed Controller

Ideal to Ventilate Hydroponic Grow Rooms



Energy Saving



Strong Power



Low Noise



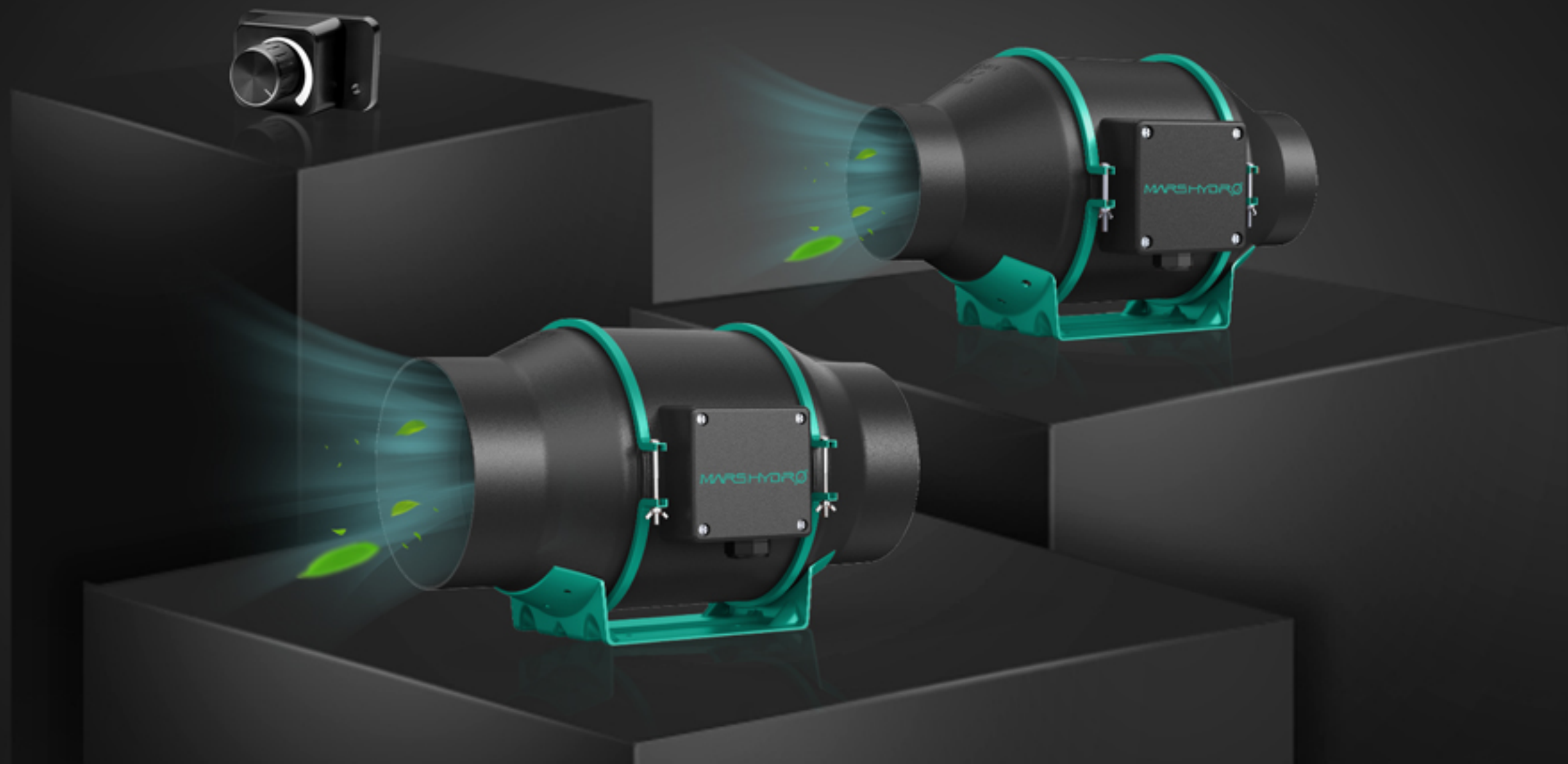
Air Circulation

Ideal for Ventilate/Heating/Cooling of Hydroponic Grow Rooms

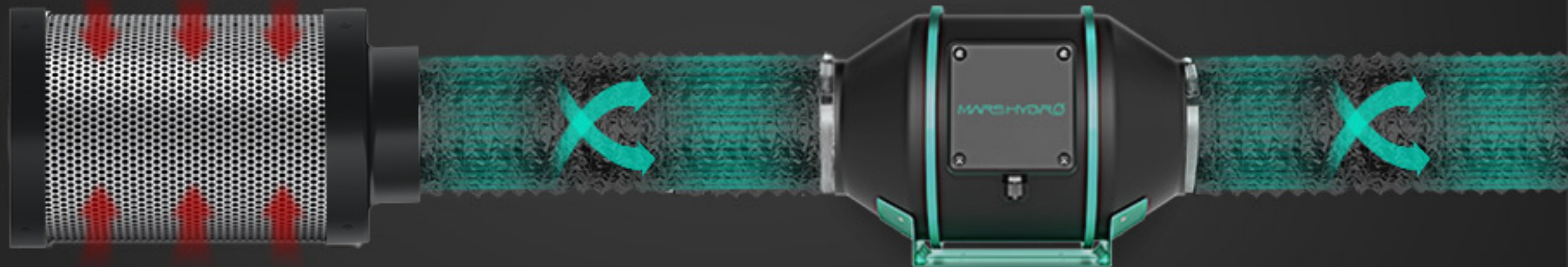
- Adjustable Speed

- Mixed-flow Design

- Effective and Quiet

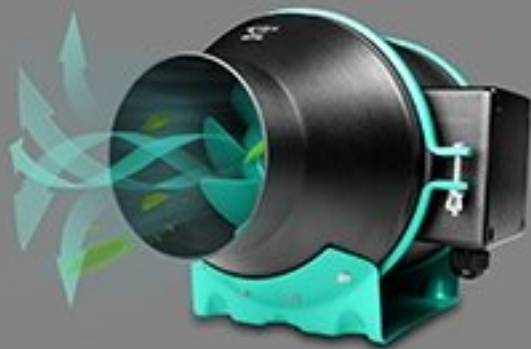


GROW TENT VENTILATION SYSTEM

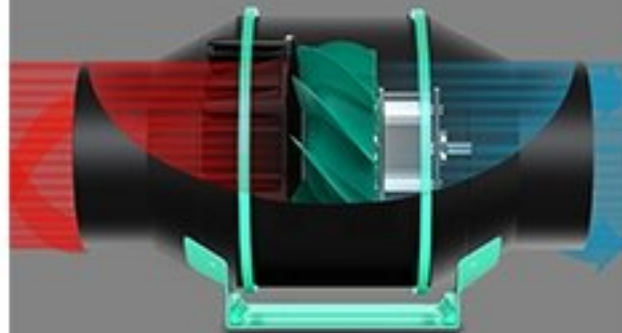




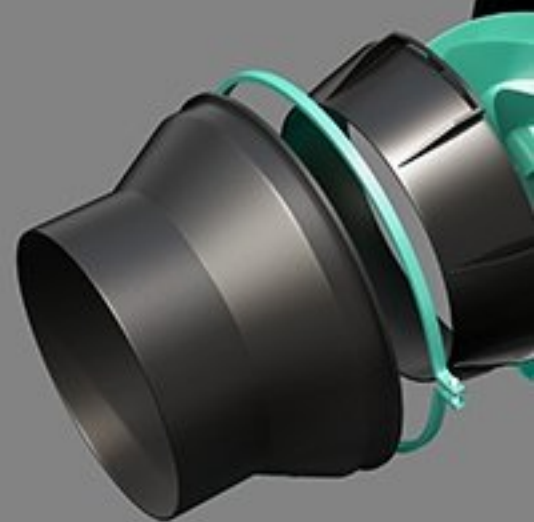
Adjustable Fan
Speed Controller



Tilted Blades
Increase 40% Airflow



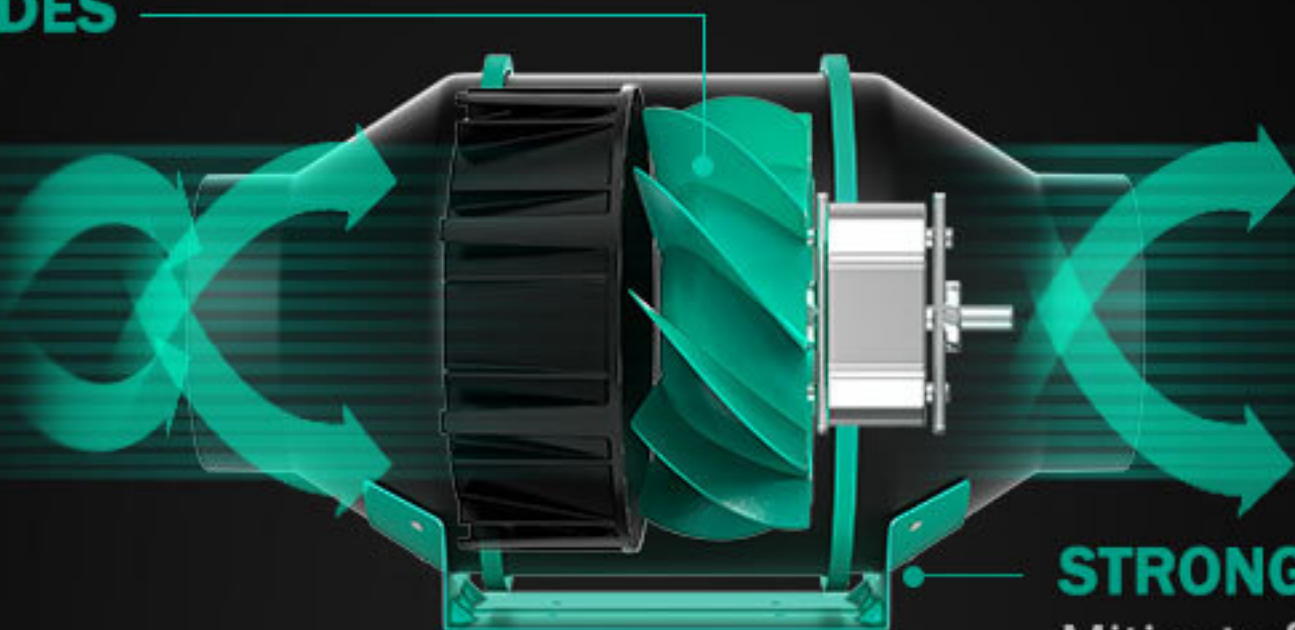
Quiet, Energy-efficient Motor



ABS Housing Premium
Plastic, More Durable

TILTED FAN BLADES

Weight balance
Stable in starting
Low in noise



STRONGER METAL BASE

Mitigate fan vibration
Firmer than the plastic base

VERSION



UPGRADED



OLD



METAL

2550 RPM

EC (SAFER; LONGER LIFESPAN)



PLASTIC

2300 RPM

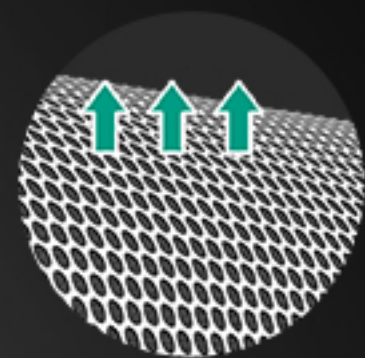
AC (UNSTABLE; SHORT LIFESPAN)

BASE:

FAN SPEED:

MOTOR:

- Designed to Eliminate Odors and Chemicals for Grow Tents and Hydroponics Room
- Enables Maximum Airflow Passthrough for Both Intake and Exhaust Configurations
- Heavy-duty Construction Contains Aluminum Flanges and Dual-sided Galvanized Steel Mesh



Provides **53%**
Open Area Allowing
Increased Air Flow

1050+
Australian Virgin
Charcoal Bed

